

DO30TM/S/TH



### FEATURES

10 cooking modes for predictably delicious results (Convection, Roast, Bake, Broil, Convection Roast, Stone, Gourmet, Warm, Proof and Dehydrate)

Advanced Dual VertiCross convection system for faster preheats and consistent cooking across all racks

Gourmet feature has menu of presets that automatically controls cooking of popular meals

Interactive color touchscreen for advanced cooking control

Quiet-close doors with spring-and-damper door hinge system

Can be installed flush with surrounding cabinetry for integrated look

5.1 cubic feet capacity to handle multiple dishes at once

Enhanced interior views with triple-pane glass and three halogen lights

Rigorously tested in our U.S. manufacturing facilities for decades of use

Exceptional 24/7 support from our Customer Care team in Madison

### ACCESSORIES

30" Premier Baking Sheet

Bake stone kit (stone, rack and peel)

Dehydration kit (racks and door stop)

Full-extension, easy-glide oven racks

Temperature probe

Set of three standard oven racks

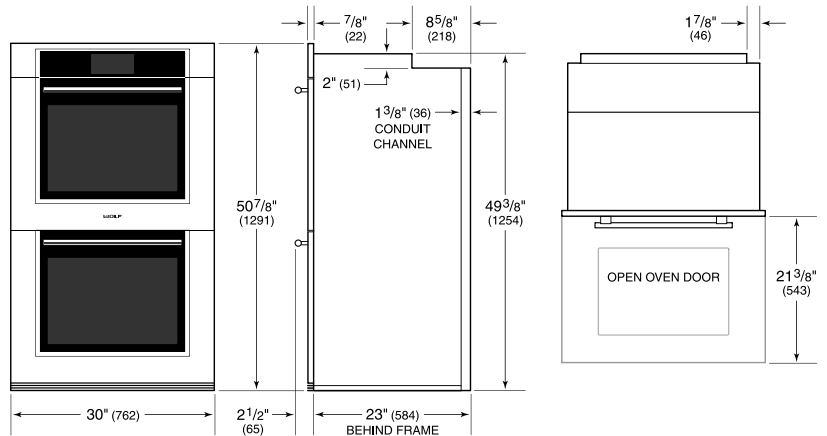
Accessories available through an authorized Sub-Zero dealer.  
For local dealer information, visit [subzero-wolf.com/locator](http://subzero-wolf.com/locator).



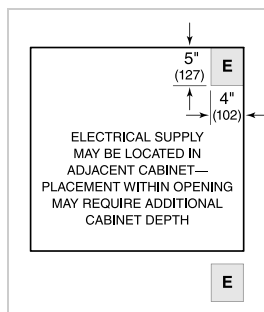
**PRODUCT SPECIFICATIONS**

|                            |                                |
|----------------------------|--------------------------------|
| Model                      | DO30TM/S/TH                    |
| Dimensions                 | 29 7/8"W x 50 7/8"H x 23"D     |
| Oven 1 Interior Dimensions | 25 1/4"W x 17 1/2"H x 19 7/8"D |
| Oven 2 Interior Dimensions | 25 1/4"W x 17 1/2"H x 19 7/8"D |
| Overall Capacity           | 5.1 cu ft                      |
| Usable Capacity            | 3.3 cu ft                      |
| Door Clearance             | 21 3/8"                        |
| Weight                     | 466 lb                         |
| Electrical Supply          | 240/208 VAC, 60 Hz             |
| Electrical Service         | 50 amp dedicated circuit       |
| Conduit Length             | 5 feet                         |

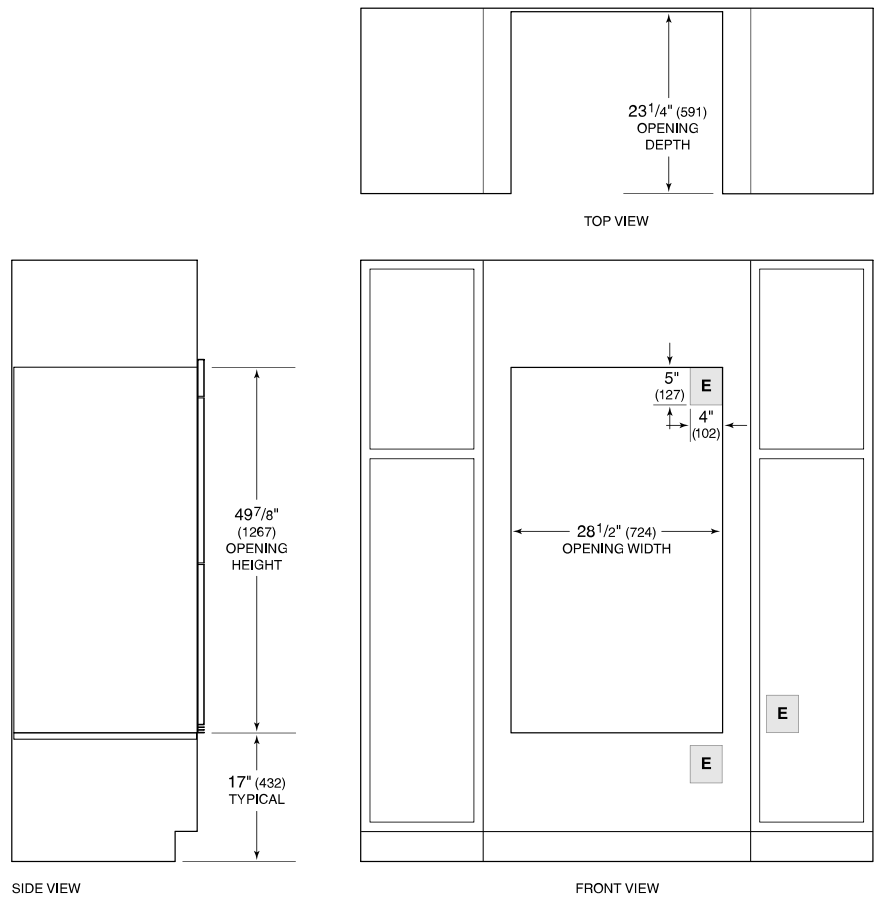
**DIMENSIONS**



**ELECTRICAL**



**STANDARD INSTALLATION**

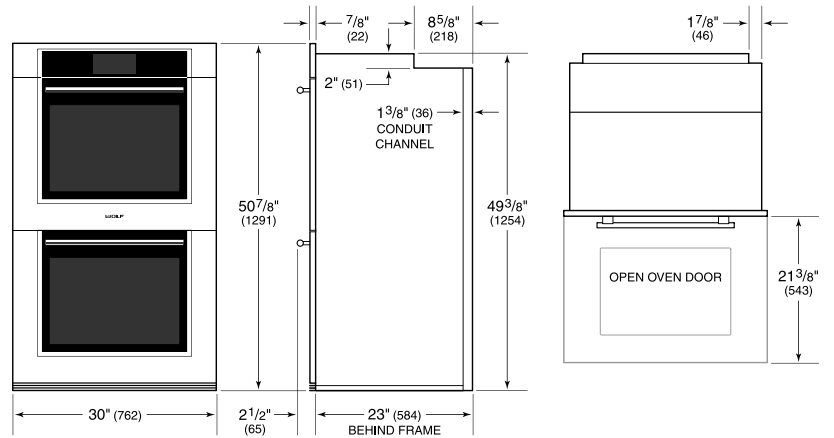


NOTE: Location of electrical supply within opening may require additional cabinet depth.

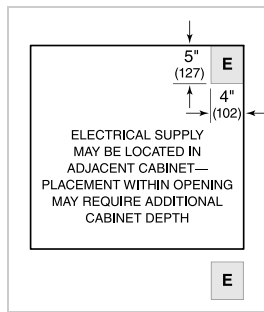
**PRODUCT SPECIFICATIONS**

|                            |                                |
|----------------------------|--------------------------------|
| Model                      | DO30TM/S/TH                    |
| Dimensions                 | 29 7/8"W x 50 7/8"H x 23"D     |
| Oven 1 Interior Dimensions | 25 1/4"W x 17 1/2"H x 19 7/8"D |
| Oven 2 Interior Dimensions | 25 1/4"W x 17 1/2"H x 19 7/8"D |
| Overall Capacity           | 5.1 cu ft                      |
| Usable Capacity            | 3.3 cu ft                      |
| Door Clearance             | 21 3/8"                        |
| Weight                     | 466 lb                         |
| Electrical Supply          | 240/208 VAC, 60 Hz             |
| Electrical Service         | 50 amp dedicated circuit       |
| Conduit Length             | 5 feet                         |

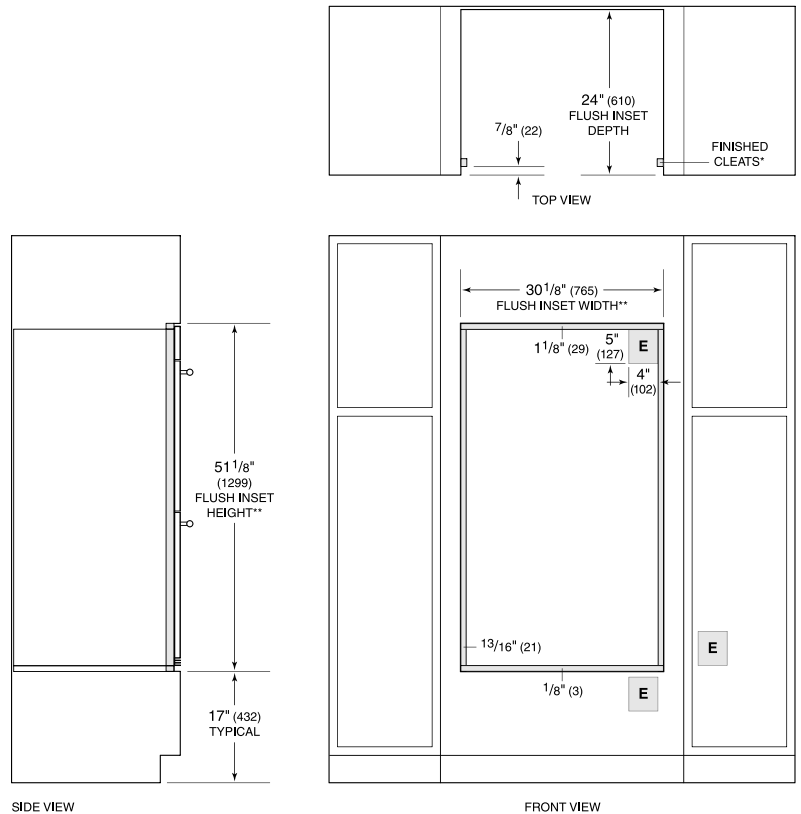
**DIMENSIONS**



**ELECTRICAL**



**FLUSH INSTALLATION**



SIDE VIEW

FRONT VIEW

\*1" (25) minimum depth. Shaded areas will be visible and should be finished to match cabinetry.  
 \*\*Dimension provides minimum reveals.

NOTE: Location of electrical supply within opening may require additional cabinet depth.